

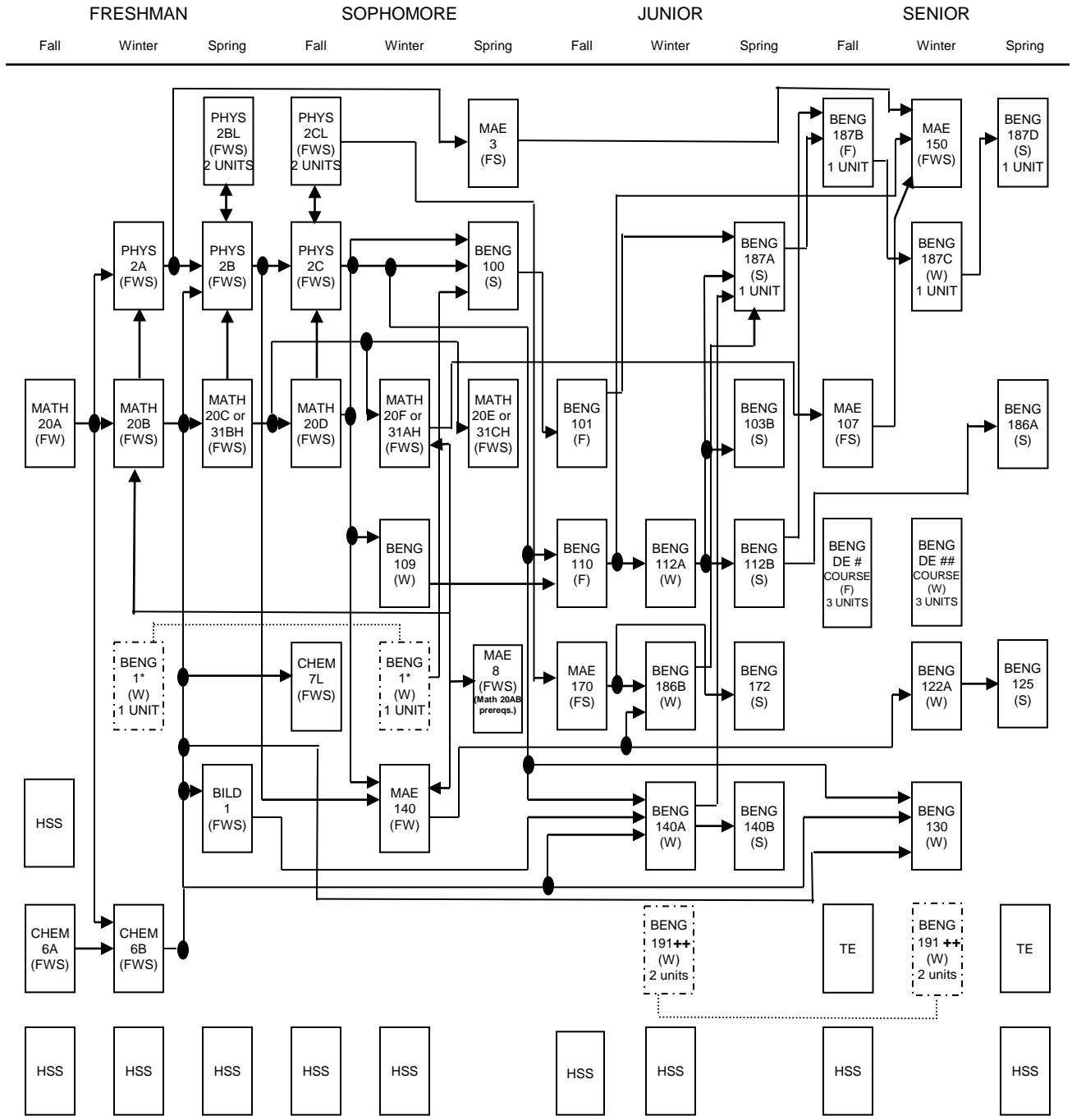
# BIOENGINEERING (BENG) ~ "NEW"

## COURSE FLOWCHART

(IF YOU HAVE NOT TAKEN MAE 9-TAKE MAE 8.)

Accredited by the Engineering Accreditation Commission of the  
Accreditation Board for Engineering & Technology [EAC/ABET]

(ALL COURSES REQUIRED FOR THE MAJOR MUST BE TAKEN FOR LETTER GRADES.) ~REV. 03/13/13



\* BENG 1 must be taken in either Freshman or Sophomore year.

# DE COURSES (FALL): BENG 119A, 126A, 127A, 128A, 129A, 139A, 147A, 148A, 149A, 169A, or 179A

## DE COURSES (WTR.): BENG 119B, 126B, 127B, 128B, 129B, 139B, 147B, 148B, 149B, 169B, or 179B

++BENG 191 may be taken once and is recommended for Juniors and Seniors, but not required.

Electives:

BENG 199 (FWS)