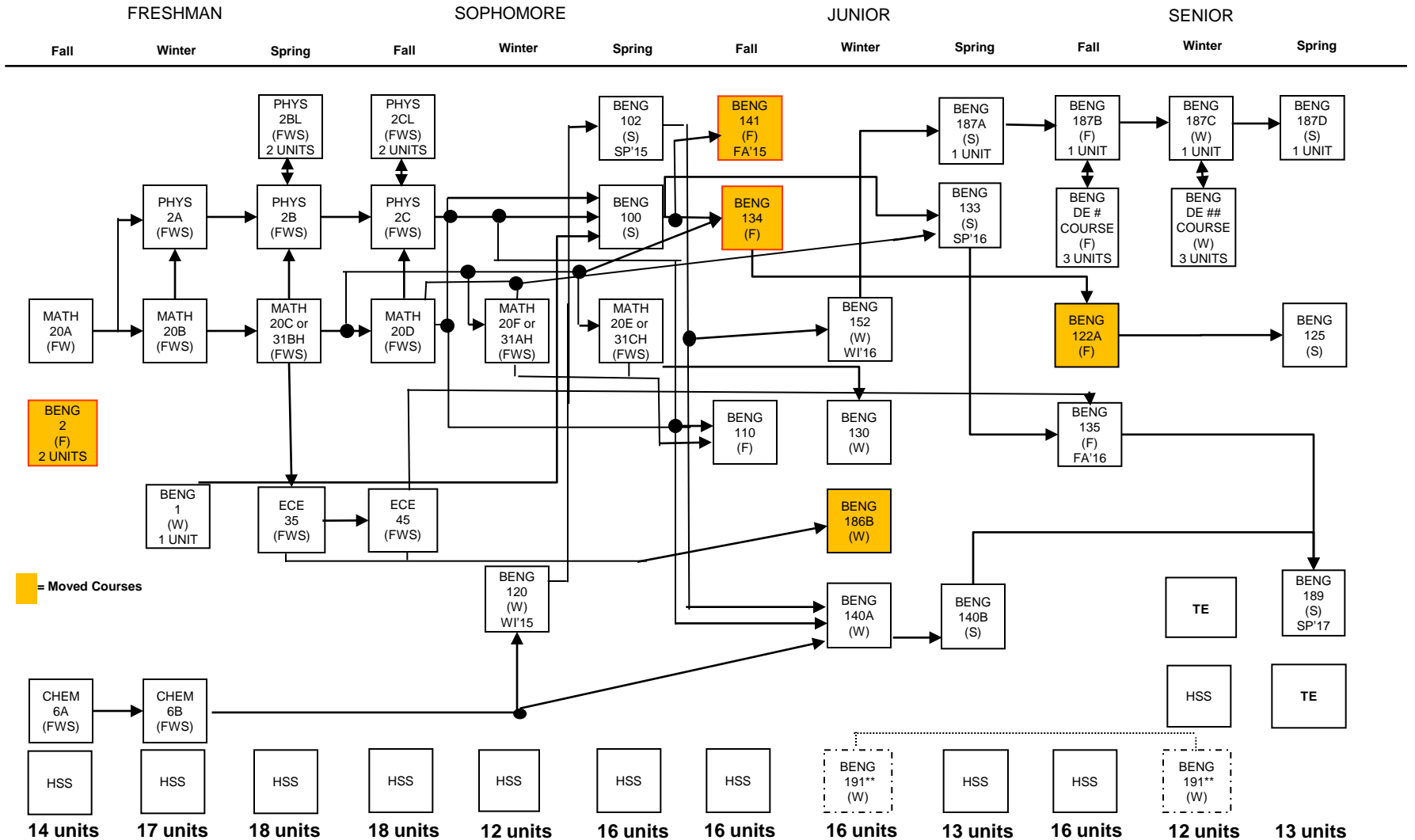


# UCSD BIOENGINEERING: BIOSYSTEMS MAJOR

Not Yet Accredited by the Engineering Accreditation Commission of the Accreditation Board for Engineering & Technology [EAC/ABET]

(ALL COURSES REQUIRED FOR THE MAJOR MUST BE TAKEN FOR LETTER GRADES.)

(EFFECTIVE FALL 2015)



# DESIGN ELECTIVE (DE) COURSES (FALL):  
 BENG 119A, 126A, 127A, 128A, 129A, 139A,  
 147A, 148A, 149A, 169A, or 179A.

##DESIGN ELECTIVE (DE) COURSES (WTR):  
 BENG 119B, 126B, 127B, 128B, 129B, 139B,  
 147B, 148B, 149B, 169B, or 179B.

\*\* BENG 191 may be taken once and is recommended for Juniors or Seniors, but not required.

Electives

BENG 199 (FWS)

181 TOTAL UNITS (141 MAJOR + 40 GE)