

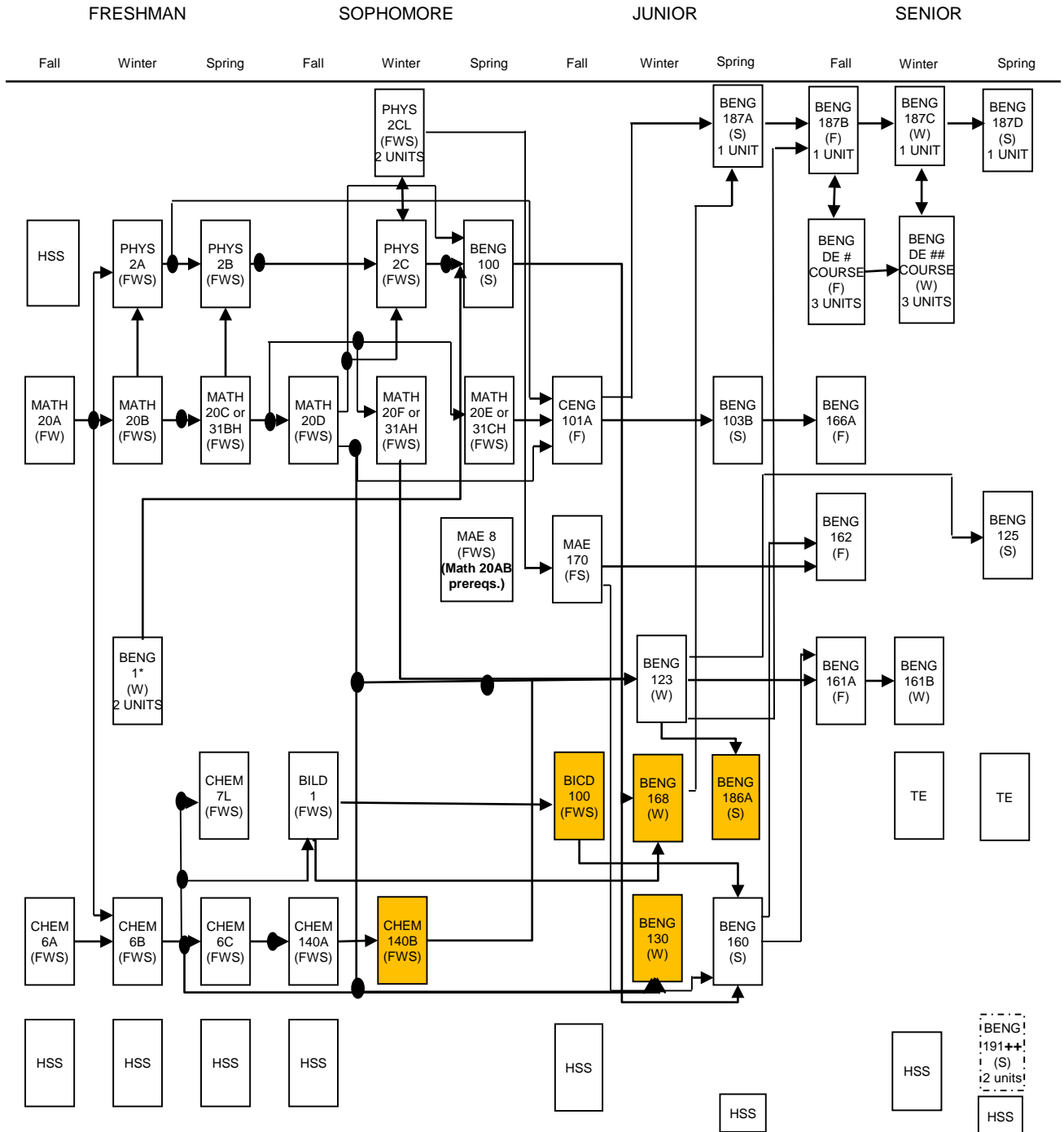
BIOENGINEERING: BIOTECHNOLOGY MAJOR ~ "NEW"

(EFFECTIVE FALL 2015)

Accredited by the Engineering Accreditation Commission of the Accreditation Board for Engineering & Technology [EAC/ABET]

(ALL COURSES REQUIRED FOR THE MAJOR MUST BE TAKEN FOR LETTER GRADES.)

REV. 2/22/16



*BENG 1 must be taken.

DE COURSES (FALL):
BENG 119A, 126A, 127A,
128A, 129A, 139A, 147A,
148A, 149A, 169A or 179A

DE COURSES (WTR.):
BENG 119B, 126B, 127B,
128B, 129B, 139B, 147B,
148B, 149B, 169B or 179B

++BENG 191 may be taken once
and is recommended for Juniors
and Seniors, but not required.

Electives:

BENG 196 (FWS)	BENG 199 (FWS)
----------------	----------------