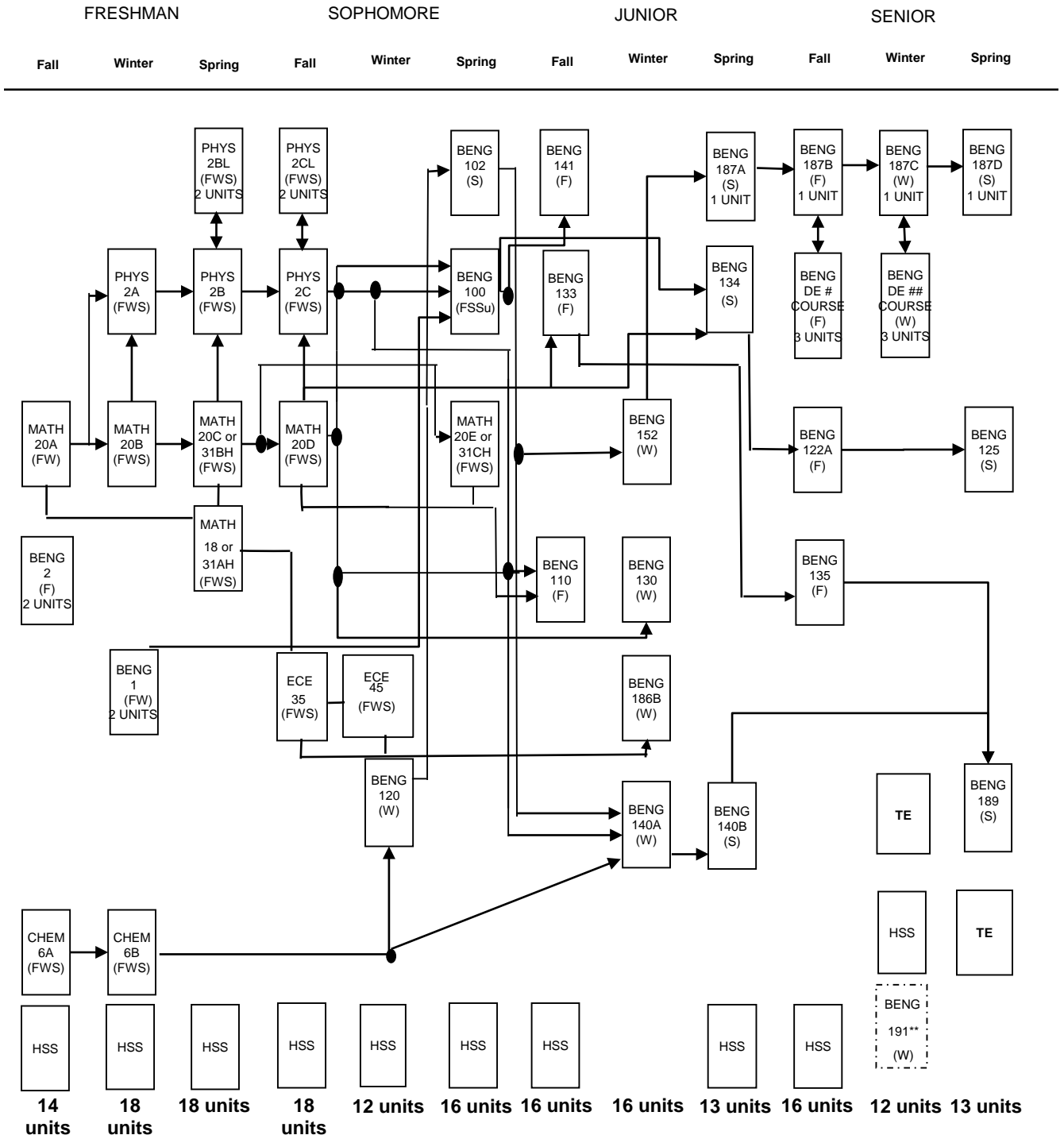


UCSD BIOENGINEERING:BIOSYSTEMS MAJOR

Accredited by the Engineering Accreditation Commission of the Accreditation Board for Engineering & Technology [EAC/ABET]

(ALL COURSES REQUIRED FOR THE MAJOR MUST BE TAKEN FOR LETTER GRADES.)

REV. 4/8/2024



DESIGN ELECTIVE (DE) COURSES (FALL):
BENG 119A, 126A, 127A, 128A, 129A, 139A,
147A, 148A, 149A, 169A, or 179A.

##DESIGN ELECTIVE (DE) COURSES (WTR):
BENG 119B, 126B, 127B,128B, 129B, 139B,
147B, 148B, 149B, 169B, or 179B.

Electives

BENG 199 (FWS)

** BENG 191 may be taken once and is recommended for Seniors, but not required.

182 TOTAL UNITS
(142 MAJOR + 40 GE)